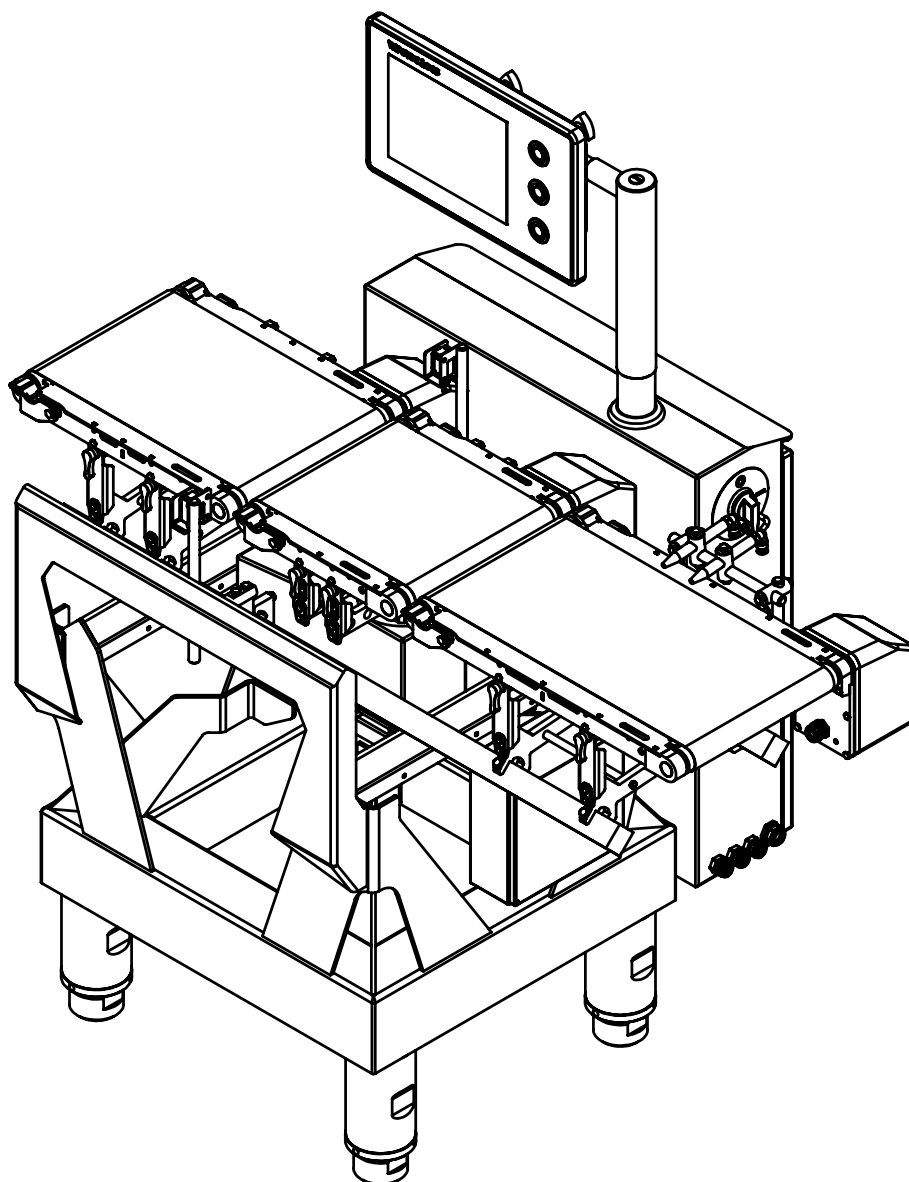


# HC-M-WD

TECHNICAL DATA

CW



# WASH-DOWN DESIGN FOR UNIVERSAL USE AND MAXIMAL HYGIENE

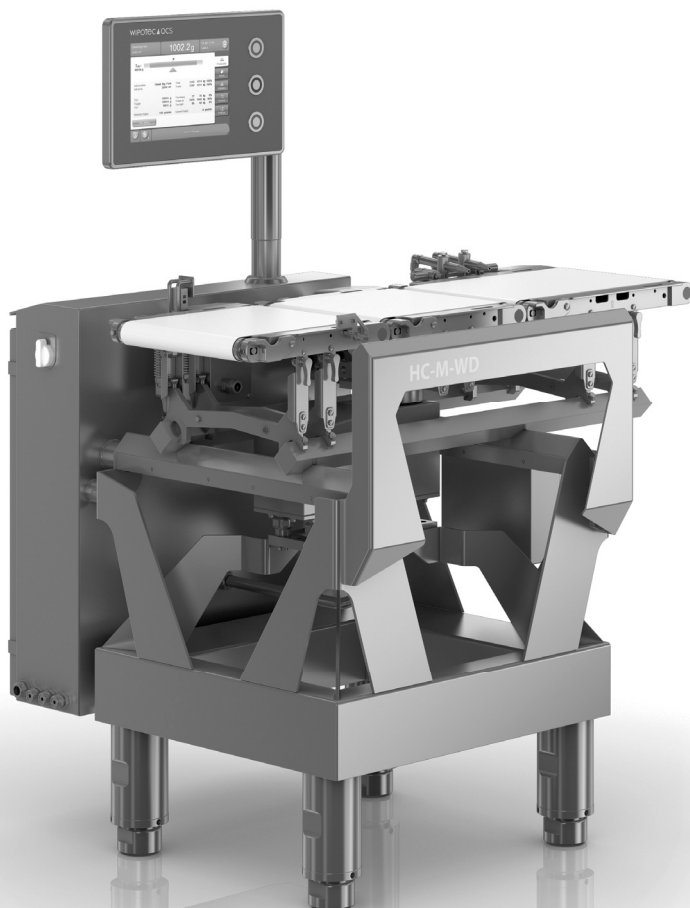
HC-M WD

The **HC-M-WD** from WIPOTEC-OCS provides a reliable and robust checkweigher in an innovative, hygienic wash-down design. This model meets all statutory provisions for the food processing industry like IFS-compliant product control, and HACCP or LMHV/FDA (Food Hygiene Regulations).

WIPOTEC-OCS developed these dynamic checkweighers, which deliver outstanding values in terms of precision and throughput, to be maintenance-free, with stainless servo motors for use in operations with intensive and frequent cleanings. The well-designed performance features of the HC-M-WD model satisfy all cleaning criteria and the most stringent hygienic requirements of the food industry.

Rounded surfaces and defined drip edges in combination with an open design and protection class IP69K provide the best conditions for optimal hygiene. Ease of cleaning is ensured by the tool-free removal of the belts (excenter). An optional cleaning program package enables risk-free cleaning while in operation. The machine underframe is also hygienically designed. The stainless steel

design of the precision weigh cell with sloping housing and separate base for a vibration-free integration in the machine frame ensures reliable and highly precise results.



## WICHTIGSTE FEATURES

- ✔ Solid and hygienic stainless steel construction
- ✔ Protection class IP69K for all components

## IHRE BENEFITS

- ✔ Compact design for easy integration
- ✔ Cleaning mode (optional) for highest hygiene and efficiency

# TECHNICAL DATA

## HC-M WD

### BASE DATA

<b>Material of machine</b>	Stainless steel V2A/AISI 304
<b>Machine weight (standard application)</b>	250 kg
<b>Shipping weight (standard application)</b>	320 kg
<b>Protection class</b>	IP69K
<b>Temperature range</b>	-5 °C to +40 °C
<b>Display and operation</b>	Rotatable and tiltable 10,4" colour TFT display with touchscreen
<b>Available dialog languages</b>	Bosnian, Chinese, Croatian, Czech, Danish, Dutch, English, Finnish, French, German, Greek, Hungarian, Italian, Japanese, Latvian, Lithuanian, Polish, Portuguese, Russian, Slovak, Slovenian, Spanish, Swedish, Turkish (other languages on request)
<b>Interfaces <sup>1)</sup></b>	Optionally: Ethernet, OPC, Profibus, ProfiNet, EtherNet/IP, RS232, RS422, RS485
<b>Max. output <sup>2)</sup></b>	250 pcs/min
<b>Digital I/O</b>	8xI + 8xO (optionally extendible)
<b>Product parameter storage</b>	100 PPS (optionally 200 / 400 PPS)
<b>Drive</b>	Servo-Technology
<b>Noise level <sup>2)</sup></b>	A-weighted emission sound pressure level under 70dB(A)
<b>Rated voltage</b>	L1/N/PE 100-240 VAC
<b>Rated frequency</b>	50/60 Hz
<b>Connect load (power capacity)</b>	Approx. 0.8 kVA
<b>Compressed air supply (option)</b>	6 bar approx. 16NI/min quality class (according to ISO 8573-1) [5:3:3]
<b>Possible maximum numbers of connected motors</b>	3 motors (optionally 2 extendible)
<b>EU-type examination certificate</b>	DE-18-MI006-PTB001 (MID)

### WEIGHING DETAILS

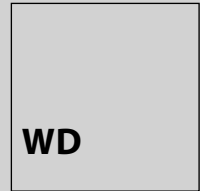
	<b>Weigh Cell</b> (Type)	<b>GWR</b> (Gross weighing range)	<b>Dead load</b> max.	<b>e</b> (Min. calibration value)	<b>d</b> (Displayed value)	<b>Standard deviation<sup>2)</sup></b> (1s)	<b>n</b> (Scale division)
<b>HC-M-WD-4000-3</b>	<b>EC-3002-2</b>	3,750 g	12,000 g	≥ 0.5 g	≥ 0.05 g	from 100 mg	7,500
<b>HC-M-WD-4000-2</b>	<b>EC-4002-2</b>	7,500 g	15,000 g	≥ 1.0 g	≥ 0.1 g	from 100 mg	7,500

1) Optionally, surcharge

2) Depending on product shape, product behavior, transport speed and environmental condition

# TECHNICAL DATA

HC-M **WD**



## CONVEYOR DIMENSIONS

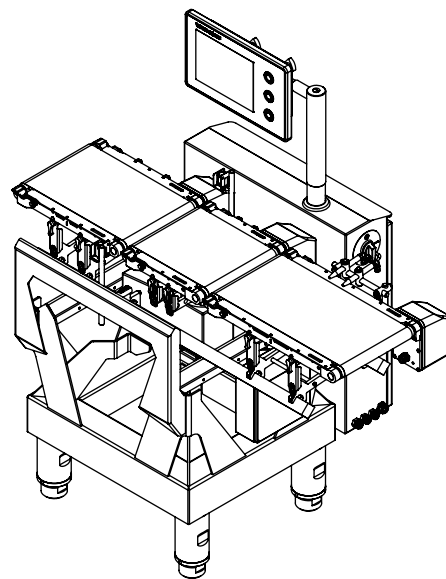
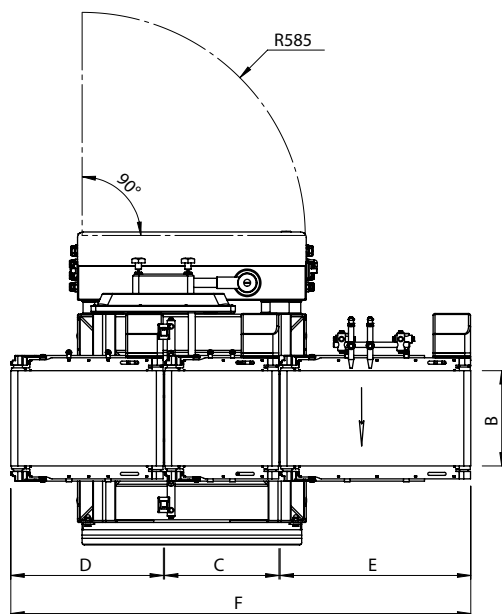
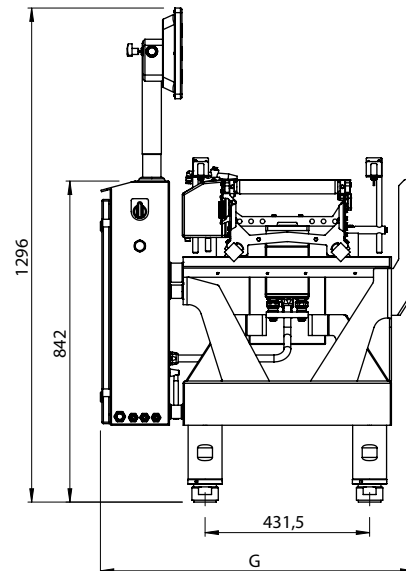
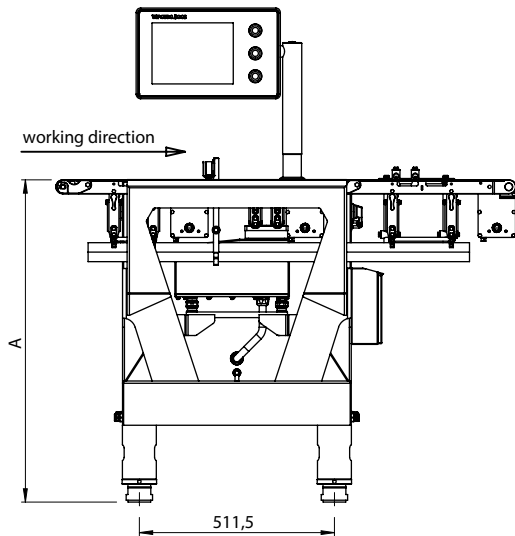
		Dimensions weighing conveyor		
length \ width		150 mm	250 mm	350 mm
250 mm <sup>1)</sup>		X	-	-
300 mm		X	X	-
400 mm		-	X	X
500 mm		-	X	X

		Dimensions infeed / outfeed conveyor		
length \ width		150 mm	250 mm	350 mm
250 mm <sup>1)</sup>		X	-	-
300 mm		X	X	-
400 mm		X	X	X
500 mm		X	X	X
600 mm		X	X	X

1) Optionally, surcharge

# MACHINE DIMENSIONS

## HC-M WD



<b>A = Working height<sup>1)</sup></b>	700 - 1,085 mm <sup>1)</sup>
<b>B = Conveyor width</b>	150 / 250 / 350 mm
<b>Conveyor technology VA35WA</b>	roller diameter 35 mm
<b>C = Weighing conveyor length</b>	250 <sup>2)</sup> / 300 / 400 / 500 mm
<b>D = Infeed conveyor length</b>	250 <sup>2)</sup> / 300 / 400 / 500 / 600 mm
<b>E = Outfeed conveyor length</b>	250 <sup>2)</sup> / 300 / 400 / 500 / 600 mm
<b>F = Total length</b>	D + C + E + 10 mm
<b>G = Total width</b>	830 mm depending on machine configuration

1) Working height must be specified when ordering

2) Optionally, surcharge

These specifications are reference values of the standard machine excluding application- or weighing-specific add-on parts.  
All entries in mm | Drawing shows design example

